

Patent Application No. 10/200,000

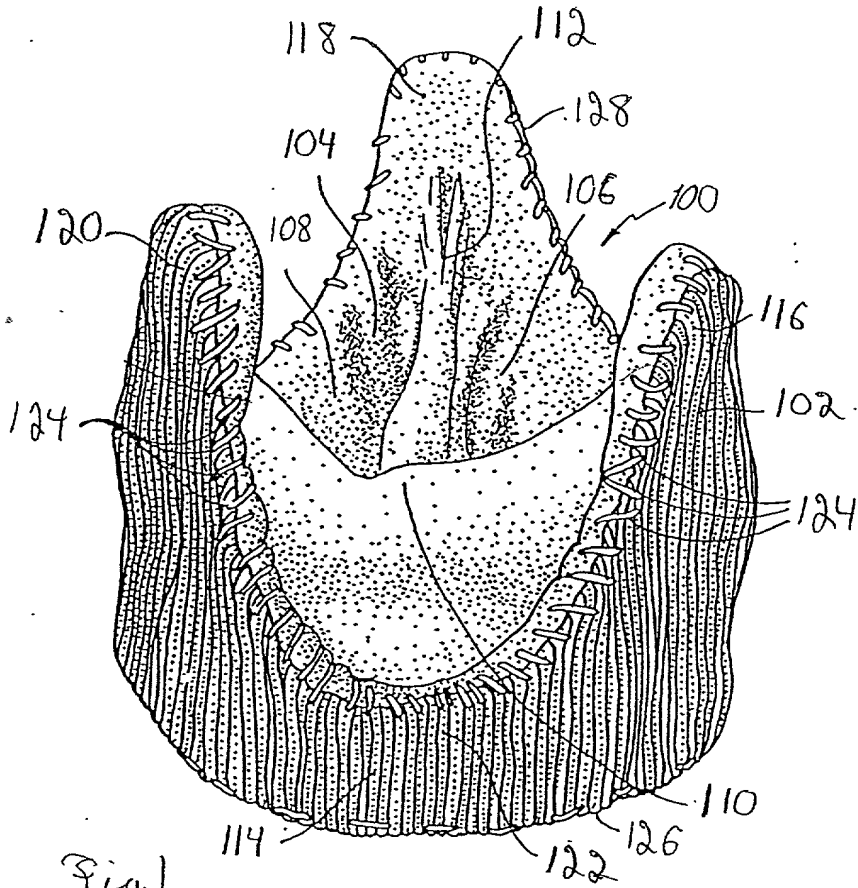


Fig. 1

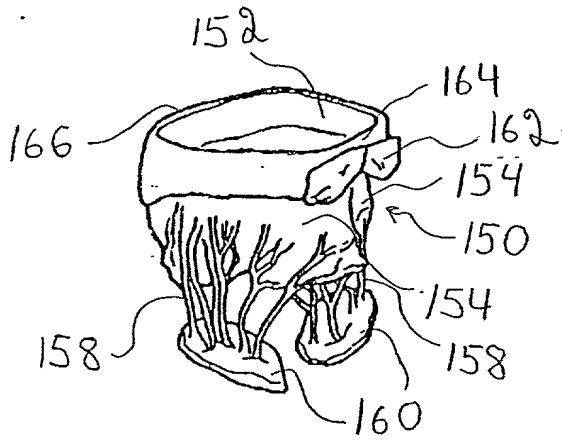


Fig. 2

Fig. 3

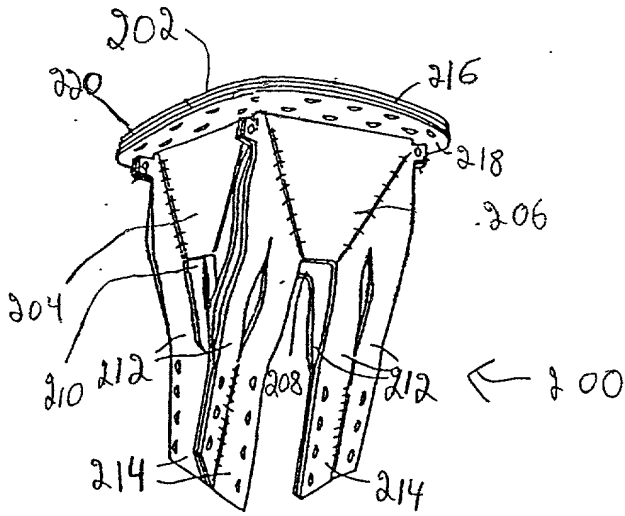
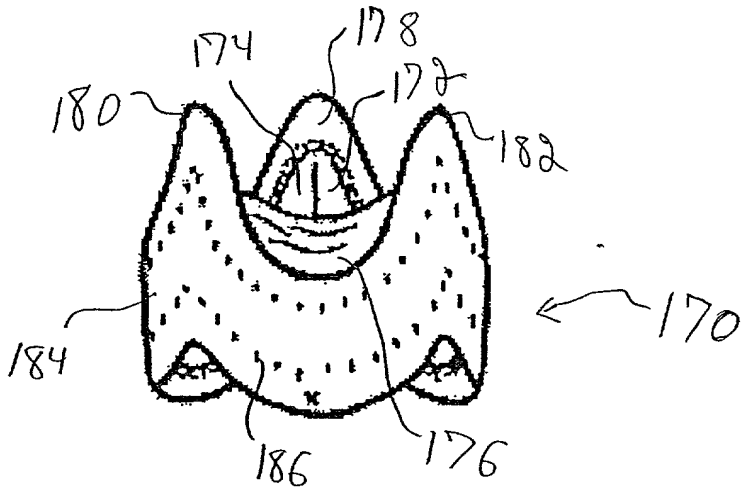
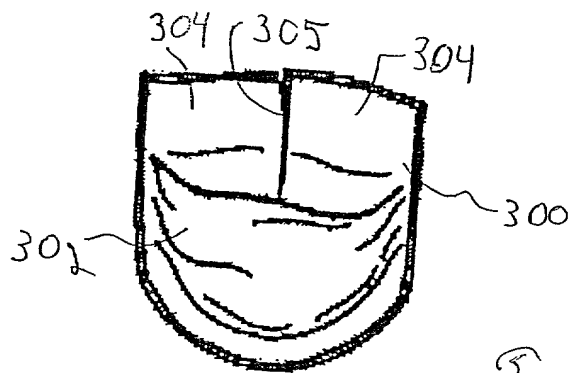
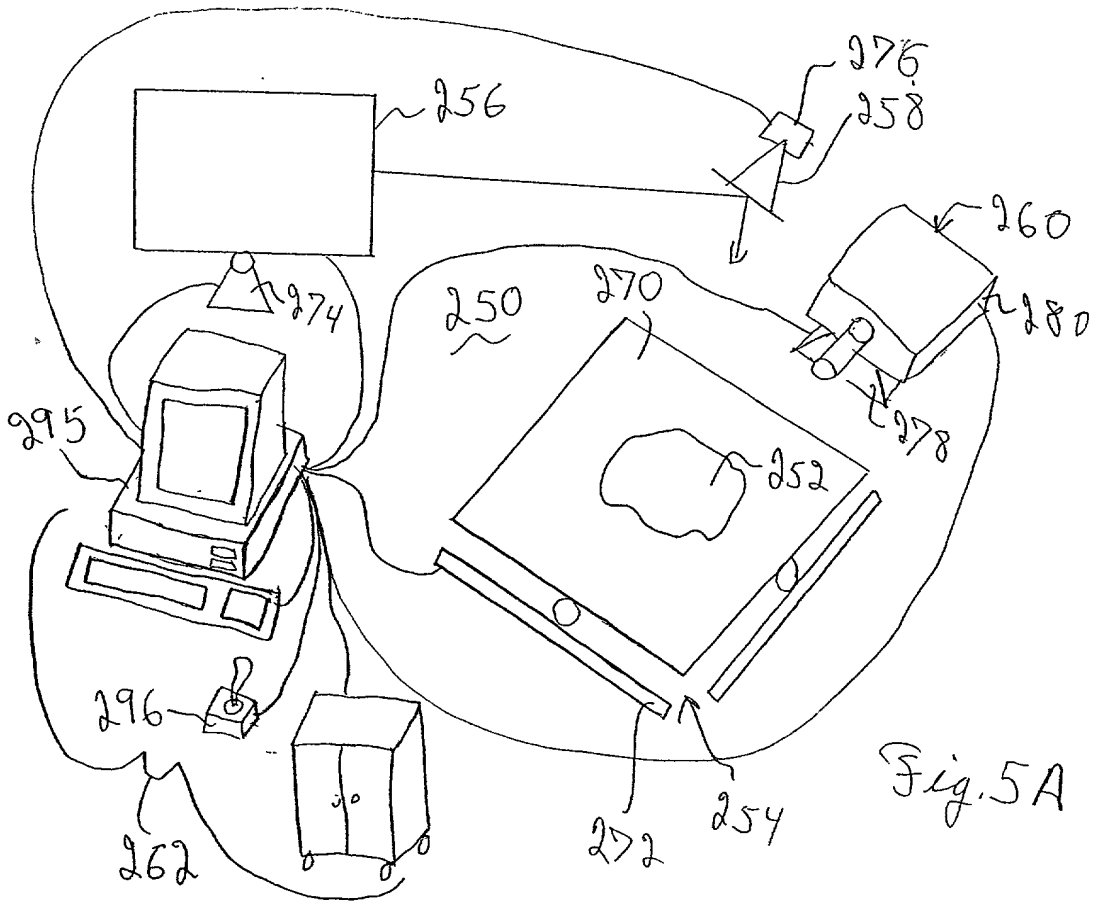


Fig. 4



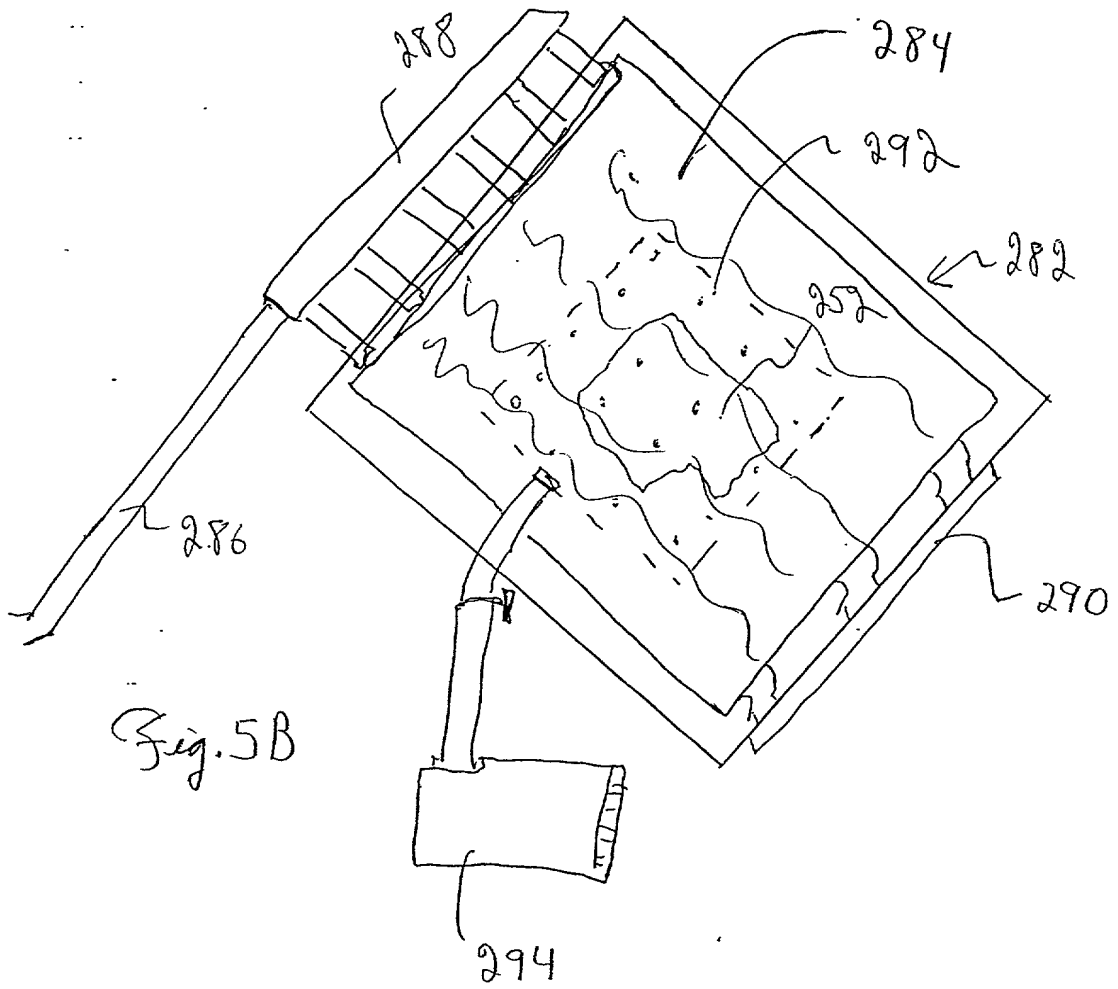


Fig. 5B

Patent Office

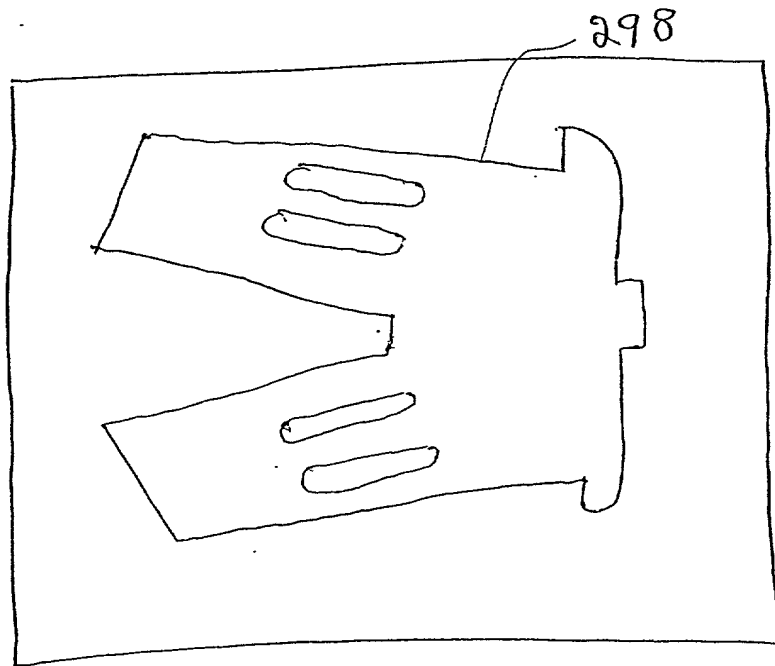


Fig. 6

Fig. 8

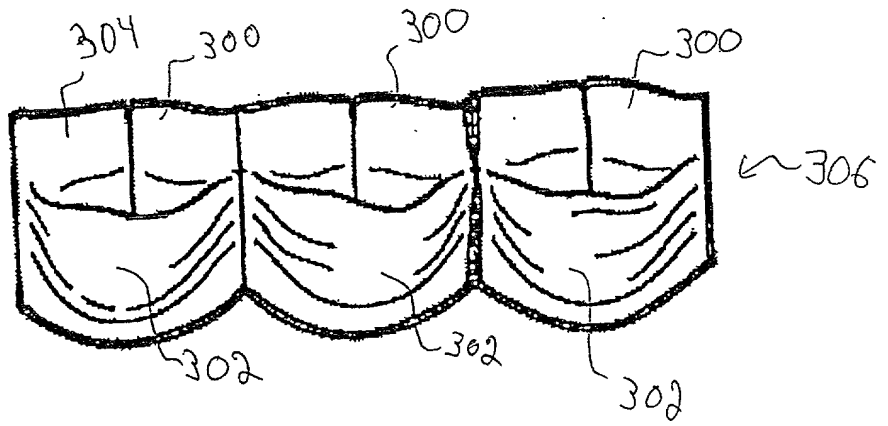


Fig. 9

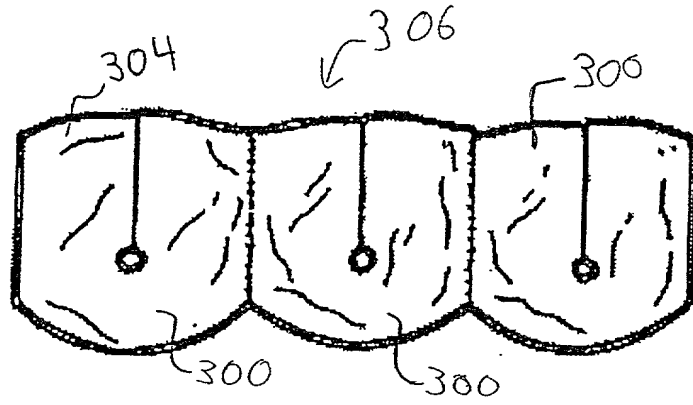


Fig. 10

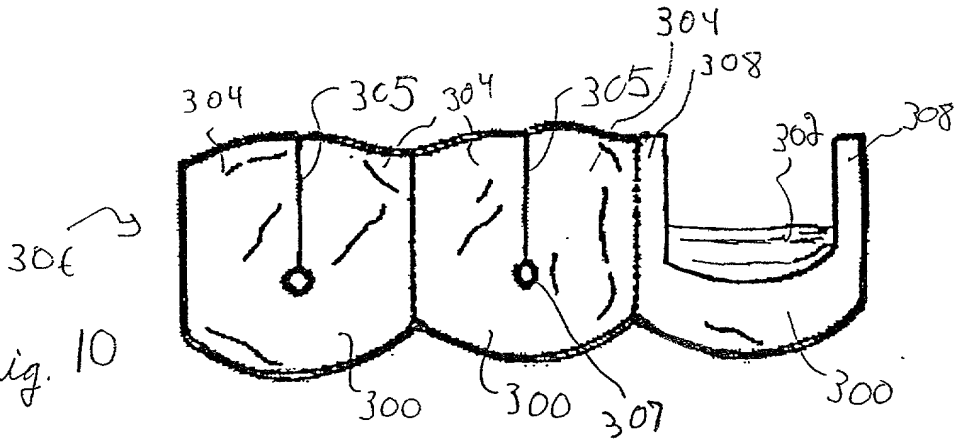


FIG. 10

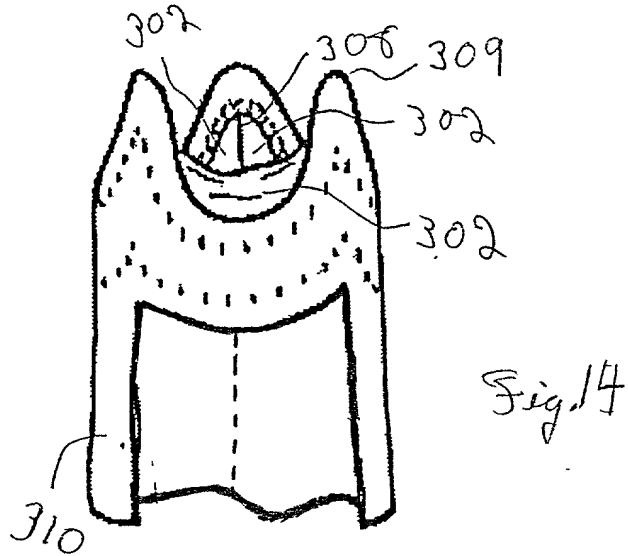
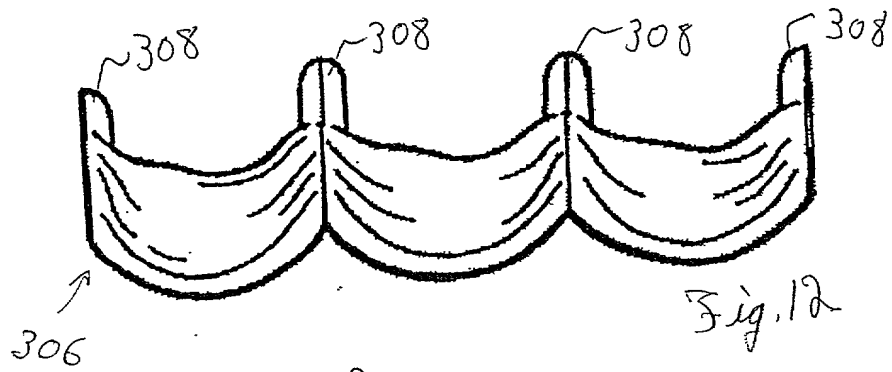
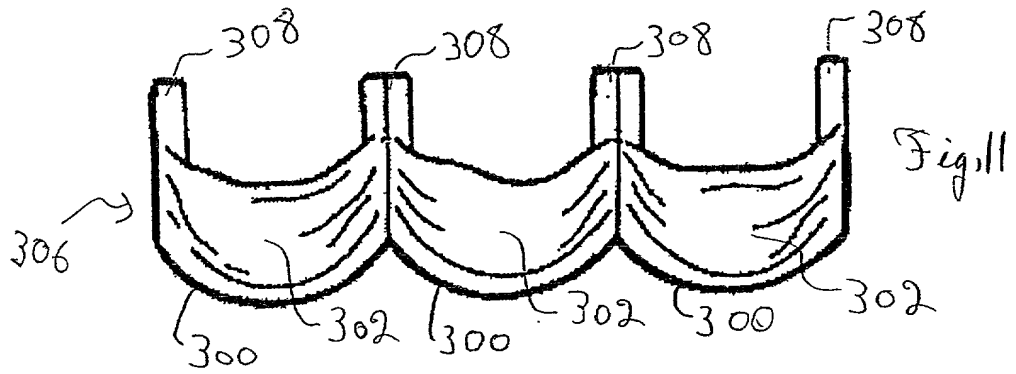
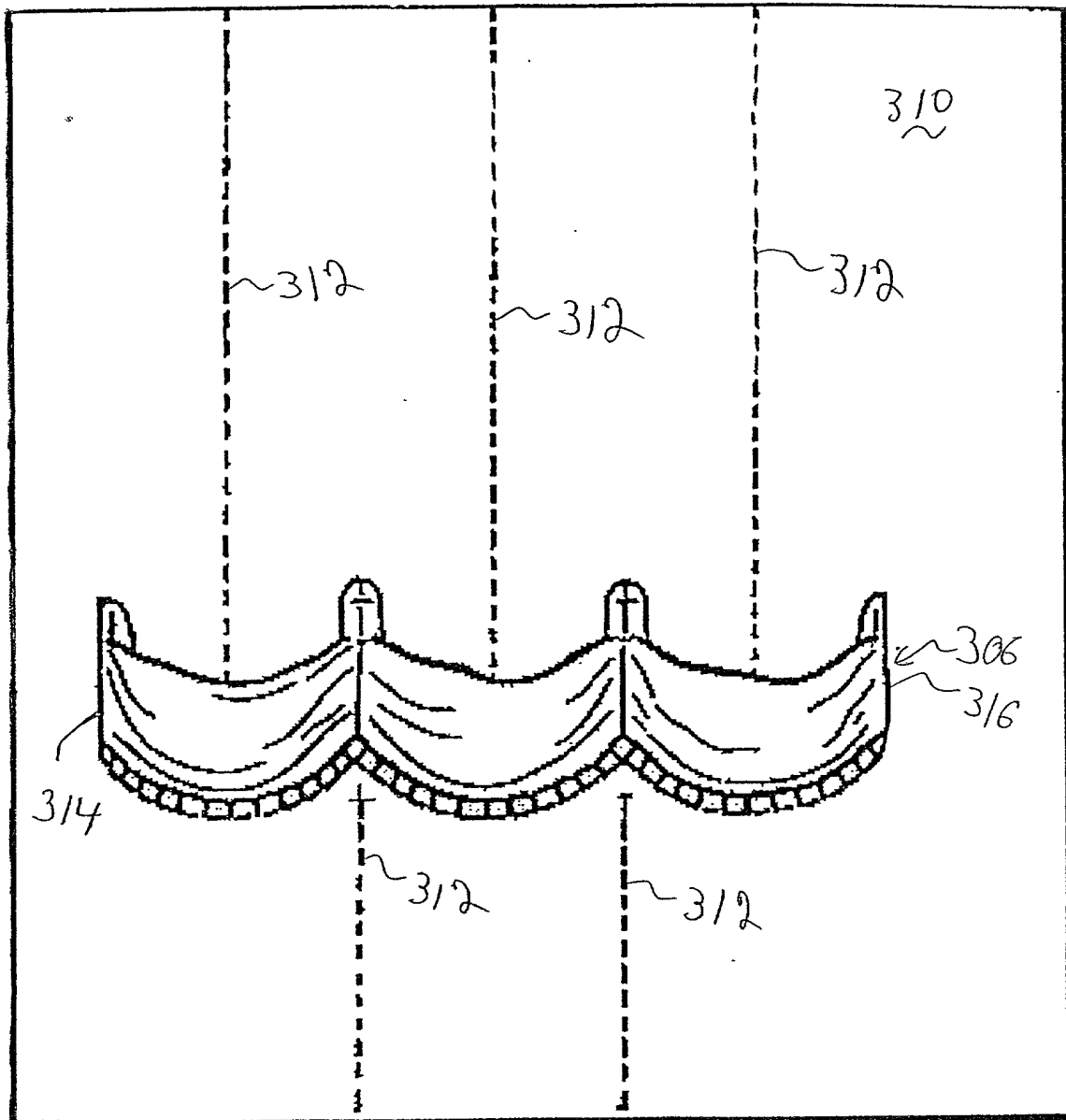


Fig. 13



Patented Feb. 2, 1937



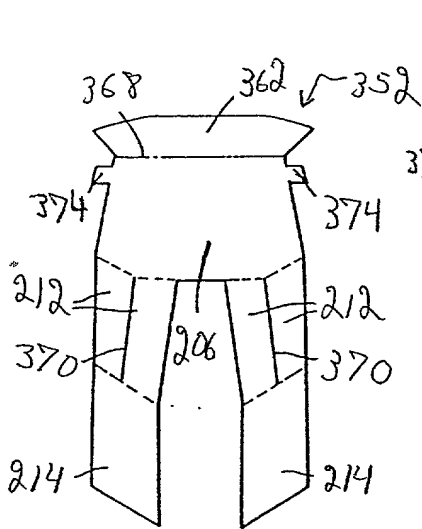


Fig. 16

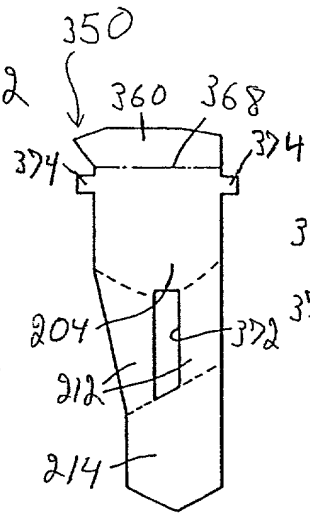


Fig. 15

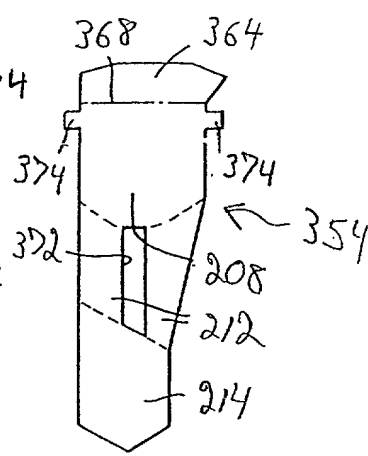


Fig. 17

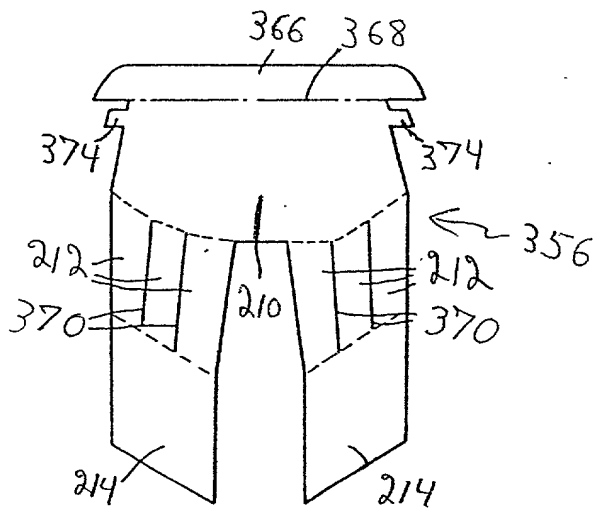


Fig. 18

Patented

